



293 Wright St., Delavan, WI 53115

Phone: 1-800-468-7867

1-800-546-7867

Fax: 1-800-390-5351

Web Site: <http://www.simerpump.com>

OWNER'S MANUAL

Quick Install Sump Pump

NOTICE D'UTILISATION

Pompe de puisard à installation rapide

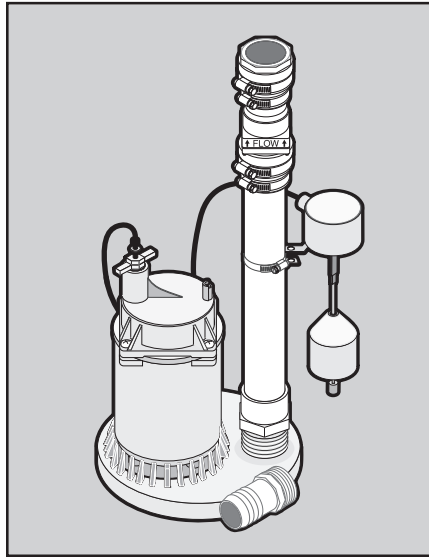
MANUAL DEL USUARIO

Bomba para sumidero de instalación rápida

For emergency flooding situations, see instructions, page 3.

Pour le pompage d'urgence en cas d'inondation, voir les instructions à la page 3.

Para situaciones de emergencia en caso de inundación, consulte las instrucciones en la página 3.



2944RP

Installation/Operation/Parts

For further operating, installation, or maintenance assistance:

Call 1-800-468-7867 /

1-800-546-7867

English Pages 2-7

Installation/Fonctionnement/Pièces

Pour plus de renseignements concernant l'utilisation, l'installation ou l'entretien,

Composer le 1 (800) 468-7867 /

1 (800) 546-7867

Français Pages 8-12

Instalación/Operación/Piezas

Para mayor información sobre el funcionamiento, instalación o mantenimiento de la bomba:

Llame al 1-800-468-7867 /

1-800-546-7867

EspañolPaginas 13-19

DESCRIPTION

This Submersible Sump Pump is designed for home sumps. Unit is equipped with a 3-prong grounding-type power cord. Shaded-pole motor is oil filled and sealed for cooler running. Sleeve bearings on motor shaft never need lubrication. Automatic reset thermal protection. Not designed for use as a swimming pool drainer.

SPECIFICATIONS

Power supply required115V, 60 HZ.
 Liquid Temp. Range32°F to 70°F(0°-21°C)
 Individual Branch Circuit Required (min.)15 Amps
 Discharge:
 Check Valve1-1/4" slip / 1-1/2" slip
 Hose1-1/4"

NOTICE: Do not reduce size of discharge pipe or hose below 1-1/4" diameter. If discharge is too small, pump will overheat and fail prematurely.

NOTICE: This unit is not designed as a waterfall or fountain pump, or for applications involving salt water or brine! Use with waterfalls, fountains, salt water or brine will void warranty.

Pump water only with this pump.
 Do not use where water recirculates.
 Not designed for use as a swimming pool drainer.

▲ WARNING Risk of electrical shock. Do not handle or plug in pump or pump motor with wet hands or when standing on wet or damp surface or in water.

PERFORMANCE

GPH (LPH) AT TOTAL FEET (M) OF LIFT					
Series	HP	5 (1.5m)	10 (3m)	15 (4.6m)	No flow at height shown below
CAPACITY GALLONS(L)/HOUR					
2944RP	1/2	3200 (12 113)	2700 (10 220)	2000 (7 571)	24 Ft. (7.3M)

ELECTRICAL & SWITCH SPECIFICATIONS

Series	HP	Motor Full Load Amps	Individual Branch Circuit Req.(Amps)	*Switch Setting in inches (mm)	
				On	Off
2944RP	1/2	5.5	15	8"(203)	3.5"(89)

GENERAL SAFETY INFORMATION

Electrically powered sump pumps normally give many years of trouble-free service when correctly installed, maintained, and used. However, unusual circumstances (interruption of power to the pump, dirt/debris in the sump, flooding that exceeds the pump's capacity, electrical or mechanical failure in the pump, etc.) may prevent your pump from functioning normally. To prevent possible water damage

due to flooding, consult your retailer about a secondary AC sump pump, a DC backup sump pump, and/or a high water alarm. See the "Troubleshooting Chart" in this manual for information about common sump pump problems and remedies. For more information, see your retailer or call customer service at 1-800-468-7867.

1. Know the pump application, limitations, and potential hazards.
2. **Do not use this pump in water with fish present. If any oil leaks out of the motor it can kill fish.**
3. Disconnect power before servicing.
4. Release all pressure within system before servicing any component.
5. Drain all water from system before servicing.
6. Secure discharge line before starting pump. An unsecured discharge line will whip, possibly causing personal injury and/or property damage.
7. Check hoses for weak or worn condition before each use, making certain that all connections are secure.
8. Periodically inspect sump, pump and system components. Keep free of debris and foreign objects. Perform routine maintenance as required.
9. Provide means of pressure relief for pumps whose discharge line can be shut-off or obstructed.
10. Personal Safety:
 - a. Do not plug in or otherwise handle with wet hands or when standing on wet or damp surface, or in water.
 - b. Wear safety glasses at all times when working with pumps.
 - c. Keep work area clean, uncluttered and properly lighted – replace all unused tools and equipment.
 - d. Keep visitors at a safe distance from work area.
 - e. Make workshop child-proof – with padlocks, master switches, and by removing starter keys.
11. When wiring an electrically driven pump, follow all electrical and safety codes that apply.
12. **This equipment is only for use on 115 volt (single phase) and is equipped with an approved 3-conductor cord and 3-prong, grounding-type plug.**

⚠ WARNING To reduce risk of electric shock, pull plug before servicing. This pump has not been investigated for use in swimming pool areas. Pump is supplied with a grounding conductor and grounding-type attachment plug. Be sure it is connected only to a properly grounded grounding-type receptacle. Where a 2-prong wall receptacle is encountered, it must be replaced with properly grounded 3-prong receptacle installed in accordance with codes and ordinances that apply.

13. All wiring should be performed by a qualified electrician.
14. Make certain power source conforms to requirements of your equipment.
15. Protect electrical cord from sharp objects, hot surfaces, oil, and chemicals. Avoid kinking cord. Replace or repair damaged or worn cords immediately.
16. Do not touch an operating motor. Modern motors can operate at high temperatures.
17. Do not handle pump or pump motor with wet hands or when standing on wet or damp surface, or in water.

⚠ WARNING Hazardous voltage can shock, burn or kill. If your basement has water or moisture on floor, do not walk on wet area until all power has been turned off. If shut-off box is in basement, call electric company or hydro authority to shut-off service to house, or call your local fire department for instructions. Remove pump and repair or replace. Failure to follow this warning can result in fatal electrical shock.

Do not lift pump by power cord.

FOR EMERGENCY FLOODING SITUATIONS

⚠ WARNING Hazardous voltage. Can shock, burn or kill. If your basement has water or moisture on floor, do not walk on wet area until all power has been turned off. If shut-off box is in basement, call electric company or hydro authority to shut-off service to house, or call your local fire department for instructions. Remove pump and repair or replace. Failure to follow this warning can result in fatal electrical shock.

1. Install the adapter and hose barb in the Quick Install Pump's check valve. Install the hose on the adapter and clamp it.
2. Lift the cord and tape it to the Quick Install Pump's discharge pipe. Plug the pump and switch into a UL and/or CSA approved type SJTW water resistant 3-prong grounding-type extension cord. The cord must be at least #14 AWG and not more than 100 feet long. Plugs and extension cord must be kept out of the water.

3. Remove the old pump from the sump and set it aside.
4. Lower the Quick Install Pump into the sump. Make sure the power cord is long enough that the plug is out of the water when the pump is running.
5. Run the hose out of the flooded area to an adequate drain area.
6. **⚠ WARNING** Risk of electrical shock. Go to a dry area, remove wet shoes and change wet clothing. WHEN YOU ARE DRY, plug the extension cord into a grounded electrical outlet (with a GFCI, if possible). DO NOT STAND IN WATER TO PLUG IN THE PUMP.
7. National Electrical Code (NEC) and Canadian Electrical Code (CEC) requirements prohibit the use of an extension cord with this pump in a permanent installation. As soon as possible, remove the extension cord and reinstall the pump as a permanent replacement pump whose power cord connects directly into a properly grounded grounding-type receptacle. Install the pump in accordance with the manufacturer's instructions, and in accordance with all codes and ordinances that apply.
8. Monitor the pump's operation. The pump will automatically stop when the water level has receded to the OFF point of the switch.

NOTE: The use of an extension cord is not CSA approved with this pump.

INSTALLATION

1. Install pump in sump pit with minimum diameter of 10" (254mm). Sump depth should be 10" (254mm). Construct sump pit of tile, concrete, steel or plastic. Check local codes for approved materials and for proper installation.
2. Install pump in pit so that switch operating mechanism has maximum possible clearance.
3. Pump should not be installed on clay, earth or sand surfaces. Clean sump pit of small stones and gravel which could clog pump. Keep pump inlet screen clear.

NOTICE: Do not use ordinary pipe joint compound on plastic pipe. Pipe joint compound can attack plastics.

⚠ CAUTION Risk of flooding. If the flexible discharge hose is used, make sure pump is secured in sump to prevent movement. Failure to secure pump may allow pump movement, switch interference and prevent pump from starting or stopping.

TM E. I. DuPont De Nemours and Company Corporation, Delaware.

4. Power Supply: Pump is designed for 115 V., 60 Hz., operation and requires a minimum 15 amp individual branch circuit. Both pump and switch are supplied with 3-wire cord sets with grounding-type plugs. Switch plug is inserted directly into outlet and pump plug inserts into opposite end of switch plug.

▲ WARNING Pump should always be electrically grounded to a suitable electrical ground such as a grounded water pipe or a properly grounded metallic raceway, or ground wire system. Do not cut off round ground pin.

5. If pump discharge line is exposed to outside sub-freezing atmosphere, portion of line exposed must be installed so any water remaining in pipe will drain to the outfall by gravity. Failure to do this can cause water trapped in discharge to freeze which could result in damage to pump.
6. After piping, check valve and float switch have been installed, the unit is ready for operation.

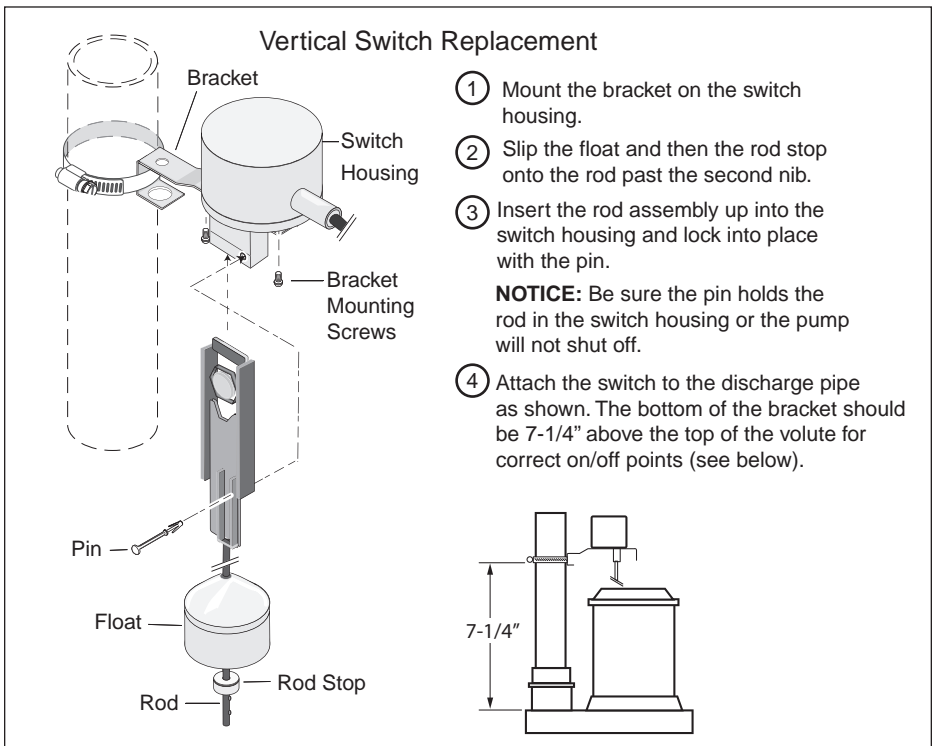
7. Check the pump operation by filling sump with water and observing pump operation through one complete cycle. For switch settings see the Electrical and Switch Specifications chart on Page 2.

▲ WARNING Failure to make this operational check may lead to improper operation, premature failure, and flooding.

OPERATION

▲ WARNING Risk of electric shock. Do not handle a pump or pump motor with wet hands or when standing on wet or damp surface, or in water.

1. Shaft seal depends on water for lubrication. Do not operate pump unless it is submerged in water as seal may be damaged if allowed to run dry.
2. Motor is equipped with automatic reset thermal protector. If temperature in motor should rise unduly, switch will cut off all power before dam-



NOTICE: See instructions included with replacement switch, Part Number FPS17-66.

For parts or assistance, call Simer Customer Service at 1-800-468-7867 / 1-800-546-7867

age can be done to motor. When motor has cooled sufficiently, switch will reset automatically and restart motor. If protector trips repeatedly, pump should be removed and checked as to cause of difficulty. Low voltage, long extension cords, clogged impeller, very low head or lift, or a plugged or frozen discharge pipe, etc., could cause cycling.

3. Pump will not remove all water. If operating a pump manually, and suddenly no water comes

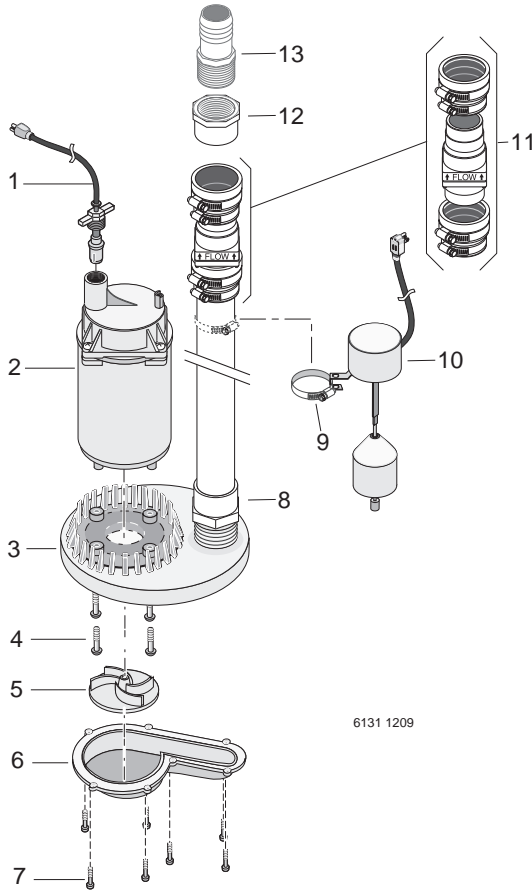
out of the discharge hose, shut off the unit immediately. The water level is probably very low and the unit has broken prime.

⚠ WARNING Risk of electric shock. Before attempting to check why unit has stopped operating, disconnect power from unit.

TROUBLESHOOTING CHART

SYMPTOM	PROBABLE CAUSE(S)	CORRECTIVE ACTION
Pump won't start or run.	Pump is not plugged in. Blown fuse. Low line voltage. Defective motor. Defective float switch. Impeller. Float obstructed.	Check and see if pump is plugged in to a proper outlet. If blown, replace with fuse of proper size. If voltage under recommended minimum, check size of wiring from main switch on property. If OK, contact power company or hydro authority. Replace pump. Replace float switch. If impeller won't turn, remove lower pump body and locate source of binding. Remove obstruction.
Pump starts and stops too often.	Backflow of water from piping. Faulty float switch.	Install or replace check-valve. Replace float switch.
Pump won't shut off.	Defective float switch. Restricted discharge (obstacle or ice in piping). Float obstructed. Restricted intake screen.	Replace float switch. Remove pump and clean pump and piping. Remove obstruction. Remove the pump and clean the intake screen and the impeller.
Pump operates but delivers little or no water.	Low line voltage. Something caught in impeller. Worn or defective parts or plugged impeller. Vent hole plugged. Restricted intake screen. Check valve is installed either backward or upside down.	If voltage under recommended minimum, check size of wiring from main switch on property. If OK, contact power company or hydro authority. Remove the pump and clean out the impeller. Clean impeller if plugged; otherwise replace pump. Use a nail or paperclip to open vent hole in discharge pipe. Remove the pump and clean out the intake screen. Be sure check valve is installed correctly.

MODEL 2944RP



6131 1209

Key No.	Part Description	Qty.	2944RP
1	Power Cord Assembly	1	PS117-54-TSU
2	Motor	1	**
3	Volute (Upper)	1	PS1-31P
4	Screw, #8-32x5/8" Phillips Pan Head	4	†
5	Impeller	1	RP0000911A
6	Volute (Lower)	1	PS1-30P
7	Screw, #8-16x1/2" Lg. Pan Head	7	†
8	1-1/4" NPT x 1-1/4" Slip Adapter	1	†
9	Switch Clamp	1	†
10	Vertical Float Switch Assembly (includes Key No. 9)	1	FPS17-66
11	Check Valve	1	FP0026-10
12	1-1/2" Slip x 1-1/4" NPT Adapter	1	†
13	1-1/4" NPT x 1-1/4" Hose Barb	1	†
•	1-1/4" x 24' Hose Kit (includes Key No. 12)	1	FP0012-6U-P2

**If motor fails, replace entire pump.

† Standard hardware item; purchase locally.

• Not illustrated

RETAIN ORIGINAL RECEIPT FOR YOUR RECORDS.

LIMITED WARRANTY

SIMER warrants to the original consumer purchaser ("Purchaser" or "You") of its products that they are free from defects in material and workmanship for a period of twelve (12) months from the date of the original consumer purchase.

If, within twelve (12) months from the original consumer purchase, any such product shall prove to be defective, it shall be repaired or replaced at SIMER's option, subject to the terms and conditions set forth below. The original purchase receipt and product warranty information label are required to determine warranty eligibility. Eligibility is based on purchase date of original product – not the date of replacement under warranty. The warranty is limited to repair or replacement of product only – Purchaser pays all removal, installation, labor, shipping, and incidental charges.

For parts or troubleshooting assistance, DO NOT return product to your retail store. Contact SIMER Customer Service at 1-800-468-7867 / 1-800-546-7867.

Claims made under this warranty shall be made by returning the product (except sewage pumps, see below) to the retail outlet where it was purchased immediately after the discovery of any alleged defect. SIMER will subsequently take corrective action as promptly as reasonably possible. No requests for service will be accepted if received more than 30 days after the warranty expires.

Warranty does not apply to products used in commercial/rental applications.

SEWAGE PUMPS

DO NOT return a sewage pump (that has been installed) to your retail store. Contact SIMER Customer Service. Sewage pumps that have seen service and been removed carry a contamination hazard with them.

If your sewage pump has failed:

- Wear rubber gloves when handling the pump;
- For warranty purposes, return the pump's cord tag and original receipt of purchase to the retail store;
- Dispose of the pump according to local disposal ordinances.

Exceptions to the Twelve (12) Month Limited Warranty

Product	Warranty Period
BW85P, CM10, CMK, M40, M40P	90 days
2300, 2310, 2330, 2520ULST, 2943, 2955, 2956, 2957, 2960, 5023SS, A5500	2 Years
4" Submersible Well Pumps, 2945, 2958, 2975PC, 2985, 3075SS, 3983, 3984	3 Years
Pre-Charge Water System Tank, 3985, 3986	5 Years
3963, 3988, 3995, 3997	Lifetime

General Terms and Conditions

You must pay all labor and shipping charges necessary to replace product covered by this warranty. This warranty does not apply to the following: (1) acts of God; (2) products which, in SIMER's sole judgement, have been subject to negligence, abuse, accident, misapplication, tampering, or alteration; (3) failures due to improper installation, operation, maintenance or storage; (4) atypical or unapproved application, use or service; (5) failures caused by corrosion, rust or other foreign materials in the system, or operation at pressures in excess of recommended maximums.

This warranty sets forth SIMER's sole obligation and purchaser's exclusive remedy for defective products.

SIMER SHALL NOT BE LIABLE FOR ANY CONSEQUENTIAL, INCIDENTAL, OR CONTINGENT DAMAGES WHATSOEVER. THE FOREGOING WARRANTIES ARE EXCLUSIVE AND IN LIEU OF ALL OTHER EXPRESS AND IMPLIED WARRANTIES, INCLUDING BUT NOT LIMITED TO THE IMPLIED WARRANTIES OF MERCHANTABILITY AND FITNESS FOR A PARTICULAR PURPOSE. THE FOREGOING WARRANTIES SHALL NOT EXTEND BEYOND THE DURATION PROVIDED HEREIN.

Some states do not allow the exclusion or limitation of incidental or consequential damages or limitations on how long an implied warranty lasts, so the above limitations or exclusions may not apply to You. This warranty gives You specific legal rights and You may also have other rights which vary from state to state.

SIMER • 293 Wright St., Delavan, WI U.S.A. 53115
Phone: 1-800-468-7867 / 1-800-546-7867 • Fax: 1-800-390-5351
Web Site: <http://www.simerpumps.com>

DESCRIPTION

Cette pompe de puisard submersible est conçue pour les puisards domestiques. Elle est munie d'une fiche à trois broches dont une de mise à la terre. Le moteur à bague de déphasage est rempli d'huile et étanche, ce qui lui permet de fonctionner en chauffant moins. Les paliers de l'arbre du moteur ne requièrent aucun graissage. La pompe comporte également une protection contre les surcharges thermiques. Elle n'est pas conçue pour vider les piscines.

CARACTÉRISTIQUES

Courant d'alimentation requis115 V, 60 Hz

Gammes de températures

du liquide.....de 0 à -21 °C (32 °F à 70 °F)

Circuit de dérivation individuel requis

(minimum).....15 ampères

Refolement:

Clapet antiretour..... 1-1/4 po coulissant /

1-1/2 po coulissant

Tuyau souple.....1-1/4 po

REMARQUE : S'assurer que le diamètre du tuyau de refolement est d'au moins 3,2 cm. Si le refolement est trop petit, il y aura surchauffement et panne prématurée de la pompe.

NOTA : Cette pompe n'est pas conçue pour être utilisée en tant que pompe de fontaine ou de chute d'eau ni dans des eaux salées ou de saumure! Son utilisation avec une chute d'eau, une fontaine, de l'eau salée ou de saumure annulera la garantie.

Ne pomper que de l'eau avec cette pompe.

Ne pas utiliser où de l'eau recircule.

Cette pompe n'est pas conçue pour vider les piscines.

vice sans entretien. Toutefois, toutes circonstances inhabituelles (interruption du courant alimentant la pompe, saletés ou débris dans le puisard, débits de crue dépassant la capacité de la pompe, pannes électriques ou mécaniques de la pompe, etc.) peuvent empêcher la pompe de fonctionner normalement. Pour empêcher les dégâts causés par l'eau suite à une inondation, s'adresser au détaillant sur la possibilité de poser une deuxième pompe de puisard fonctionnant sur le courant alternatif ou une pompe de puisard de secours fonctionnant sur le courant continu et/ou une alarme de niveau élevé d'eau. Se reporter au «Tableau de recherche des pannes» de ce Manuel pour plus de renseignements concernant les problèmes courants des pompes de puisard et leurs remèdes. Pour de plus amples renseignements, s'adresser au détaillant ou appeler le service à la clientèle en composant le 1 800 468-7867.

- Avant tout, il faut connaître les applications de la pompe, ces limites et les dangers potentiels que présente son utilisation.
- Ne pas utiliser cette pompe s'il y a présence de poissons dans l'eau. Une fuite d'huile provenant du moteur pourrait tuer les poissons.**
- Avant d'intervenir sur la pompe, couper le courant.
- Dissiper toute la pression du circuit d'eau avant d'intervenir sur un des éléments de la pompe.
- Vidanger l'eau du circuit avant d'intervenir sur la pompe.
- Bien immobiliser la canalisation de refolement avant de faire fonctionner la pompe. Une canalisation de refolement non immobilisée risque de se déplacer comme un fouet et de causer des blessures corporelles et/ou des dommages matériels.
- Avant chaque utilisation, s'assurer que les tuyaux souples ne comportent pas de points faibles ni de parties usées et que tous les raccords sont bien serrés.
- Périodiquement, inspecter la pompe et tous les éléments de l'ensemble. Procéder à un entretien périodique selon le besoin.
- Prévoir un moyen de dissiper la pression des pompes dont la canalisation de refolement peut être fermée ou obstruée.
- Sécurité personnelle :
 - Ne pas brancher ni manipuler autrement la pompe avec les mains mouillées ou en se tenant debout sur une surface mouillée, humide ou dans l'eau.
 - Lorsque l'on intervient sur une pompe, toujours porter des lunettes de sécurité.
 - Toujours garder la zone de travail propre, dégagée et bien éclairée – Enlever tous les outils et tout l'équipement inutiles.
 - Les visiteurs doivent se tenir à une distance sécuritaire de la zone de travail.
 - Poser des cadenas pour s'assurer que les enfants ne pourront pas pénétrer dans l'atelier de travail. Poser aussi un interrupteur général et enlever les clés des démarreurs.
- Lorsque l'on câble une pompe électrique, observer tous les codes de sécurité et de l'électricité applicables.
- Cet équipement ne fonctionne que sur le courant 115 volts (monophasé) et est muni d'un cordon d'alimentation approuvé à 3 conducteurs et d'une fiche à 3 broches dont une de mise à la terre.**

⚠ AVERTISSEMENT **Risque de choc électrique. Ne pas manipuler ni brancher la pompe ou le moteur de la pompe avec les mains mouillées ou en se tenant debout sur une surface mouillée, humide ou dans l'eau.**

RENDEMENT

LITRES PAR HEURE À LA HAUTEUR TOTALE DE REFOLEMENT EN METRES					
Série	Puiss.	1,5 m	3 m	4,6 m	Aucun débit à la hauteur suivante
		(5 pi)	(10 pi)	(15 pi)	
VOLUME LITRES (GL)/HEURE					
2944RP	1/2	12 113 (3200)	10 220 (2700)	7 571 (2000)	7,3 m (24 pi)

CARACTÉRISTIQUES ÉLECTRIQUES ET DE COMMUTATION

Série	Puiss.	Charge complète moteur Amp	Circuit de dérivation individuel requis en ampères	Réglage de l'interrupteur en mm (po)	
				Marche	Arrêt
2944RP	1/2	5,5	15	203 (8)	89 (3,5)

RENSEIGNEMENTS CONCERNANT LES CONSIGNES DE SÉCURITÉ GÉNÉRALES

Si elle est bien installée, bien entretenue et bien utilisée, une électropompe assure de nombreuses années de ser-

⚠ AVERTISSEMENT Avant d'intervenir sur la pompe et pour minimiser les risques de chocs électriques, débrancher la pompe de la prise de courant. Aucune étude n'a été faite pour savoir si cette pompe pouvait être utilisée aux alentours des piscines. Cette pompe est livrée avec un conducteur et une fiche comportant une broche de mise à la terre. Ne brancher cette fiche que dans une prise de courant adéquatement mise à la terre. Au cas où l'installation ne comporterait que des prises de courant à 2 trous, remplacer la prise dans laquelle la fiche sera branchée par une prise de courant à 3 trous adéquatement mise à la terre et posée conformément aux Codes et aux décrets applicables.

13. Tout le câblage doit être exécuté par un électricien qualifié.
14. S'assurer que la source du courant est conforme aux caractéristiques de l'équipement.
15. Protéger le cordon électrique contre les objets tranchants, les surfaces chaudes, l'huile et les produits chimiques. Éviter de nouer le cordon. Remplacer immédiatement le cordon s'il est endommagé ou usé.
16. Ne pas toucher le moteur de la pompe pendant qu'il fonctionne. Les moteurs peuvent fonctionner par les températures élevées.
17. Ne pas manipuler la pompe ni le moteur de la pompe lorsqu'on a les mains humides ou lorsqu'on se tient debout sur une surface mouillée, humide ou dans l'eau.

⚠ AVERTISSEMENT Tension dangereuse. Risque de secousses, de brûleres, voire de mort. Si le sol du sous-sol est humide ou couvert d'eau, ne pas marcher sur cette surface humide tant que toute l'alimentation en courant électrique n'a pas été interrompue. Si le sectionneur principal se trouve au sous-sol, appeler la compagnie qui fournit l'électricité pour lui demander d'interrompre le service parvenant à la maison ou appeler le service d'incendie local pour plus de renseignements. Déposer la pompe, la réparer ou la remplacer. On risque d'être mortellement électrocuté si l'on n'observe pas cet avertissement. Ne pas lever la pompe par son cordon électrique.

POUR LE POMPAGE D'URGENCE EN CAS D'INONDATION

⚠ AVERTISSEMENT Tension dangereuse. Risque de choc, de brûlure, voire de mort. Si le plancher du sous-sol est humide ou couvert d'eau, ne pas marcher sur la surface humide jusqu'à ce que l'alimentation ait été coupée. Si le dispositif d'arrêt se trouve au sous-sol, communiquer avec la compagnie d'électricité ou le fournisseur d'électricité pour faire couper le service au domicile ou avec le service d'incendie local pour obtenir des instructions. Déposer la pompe pour la réparer ou la remplacer. Le défaut de suivre cet avertissement peut occasionner un choc électrique mortel.

1. Installer l'adaptateur et le raccord cannelé dans le clapet antiretour de la pompe à installation rapide. Installer le tuyau sur l'adaptateur et le fixer à l'aide d'une bride de serrage.
2. Soulever la rallonge et la fixer au tuyau de refoulement de la pompe à installation rapide à l'aide de ruban adhésif. Brancher la pompe et l'interrupteur dans une rallonge SJTW à trois broches avec mise à la terre résistant à l'eau homologuée UL ou CSA. Le calibre de la rallonge doit être d'au moins 14 et ne pas excéder 100 pi de longueur. Les prises et la rallonge doivent toujours être hors de l'eau.
3. Retirer la vieille pompe du puisard et la mettre de côté.

4. Faire descendre la pompe à installation rapide dans le puisard. Veiller à ce que la rallonge soit suffisamment longue de sorte que la fiche soit hors de l'eau pendant que la pompe est en fonction.
5. Placer l'extrémité du tuyau à un endroit adéquat pour l'évacuation de l'eau.
6. **⚠ AVERTISSEMENT** Risque de choc électrique. Se rendre à un endroit sec et retirer les chaussures mouillées et mettre des vêtements secs. AVEC DES CHAUSSURES ET DES VÊTEMENTS SECS, brancher la rallonge dans une prise mise à la terre (avec un disjoncteur de fuite à la terre si possible). NE PAS SE TENIR DANS L'EAU AU MOMENT DE BRANCHER LA POMPE.
7. Le Code national de l'électricité et le Code canadien de l'électricité interdisent l'utilisation d'une rallonge avec cette pompe pour une installation permanente. Retirer la rallonge aussitôt que possible et réinstaller la pompe de manière permanente à l'aide d'une rallonge qui se branche directement dans une prise correctement mise à la terre. Installer la pompe selon les instructions du fabricant et conformément à tous les codes et règlements applicables.
8. Surveiller le fonctionnement de la pompe. La pompe s'arrêtera automatiquement au moment où le niveau d'eau régresse suffisamment pour mettre l'interrupteur en position d'arrêt.

NOTA : L'utilisation d'une rallonge avec cette pompe n'est pas homologuée CSA.

INSTALLATION

1. Dans le cas de modèles équipés d'un interrupteur vertical, installer la pompe dans un puisard ayant un diamètre minimum de 25,4 cm (10 pouces). Le puisard doit avoir une profondeur minimum de 25,4 cm (10 po). Le puisard peut être construit avec un tuyau en ciment, du béton, en acier ou du plastique. Consulter les codes municipaux pour connaître le matériau approuvé et pour procéder adéquatement à l'installation.
2. Installer la pompe dans le puisard de façon que le mécanisme actionnant l'interrupteur puisse avant le plus grand dégagement possible.
3. Il ne faut pas poser la pompe sur une surface en argile, en terre ou sablonneuse. Enlever les petites pierres et le gravier du puisard qui risqueraient de boucher la pompe. La crépine d'admission d'eau de la pompe doit toujours être dégagée.

NOTA : Ne pas utiliser de pâte à joint ordinaire pour tuyaux filetés sur les tuyaux en plastique car cette pâte attaque les plastiques.

⚠ ATTENTION Risque d'inondation. Si l'on utilise le tuyau de refoulement souple, s'assurer que la pompe est bien immobilisée dans le puisard pour empêcher qu'elle se déplace. Si la pompe n'est pas bien immobilisée, elle risque de se déplacer, l'interrupteur risque de se coincer et d'empêcher la pompe de démarrer ou de s'arrêter.

™ E. I. DuPont De Nemours and Company Corporation, Delaware.

4. Courant électrique : La pompe est conçue pour fonctionner sur le courant électrique de 115 V, 60 Hz, et elle doit être branchée sur un circuit de dérivation individuel d'au moins 15 ampères. La pompe et l'interrupteur sont livrés avec des cordons électriques à 3 conducteurs et des fiches avec broches de terre. La fiche de l'interrupteur se branche directement dans la prise de courant et la fiche du cordon de la pompe se branche à l'arrière de la fiche de l'interrupteur.

⚠ AVERTISSEMENT La pompe doit toujours être raccordée à la terre, sur un tuyau d'eau mis à la terre, une canalisation métallique adéquatement mise à la terre ou un circuit électrique adéquatement mis à la terre, par exemple. Ne jamais couper la broche ronde de mise à la terre de la fiche.

5. Si la conduite de refoulement de la pompe est exposée aux températures de congélation extérieures, la partie exposée doit être installée de façon que l'eau restant dans le tuyau puisse se vidanger en retombant par gravité. Si l'on ne respecte pas cette recommandation, l'eau emprisonnée dans la conduite de refoulement risque de geler et la pompe risque d'être endommagée.
6. Après avoir installé la tuyauterie, le clapet antiretour et l'interrupteur à flotter, la pompe est prête à fonctionner.

7. Vérifier le fonctionnement de la pompe en remplissant le puisard d'eau, puis observer le fonctionnement de la pompe sur un cycle complet. Pour connaître les réglages de l'interrupteur, se reporter au tableau de la page 8 intitulé « Caractéristiques électriques et de l'interrupteur ».

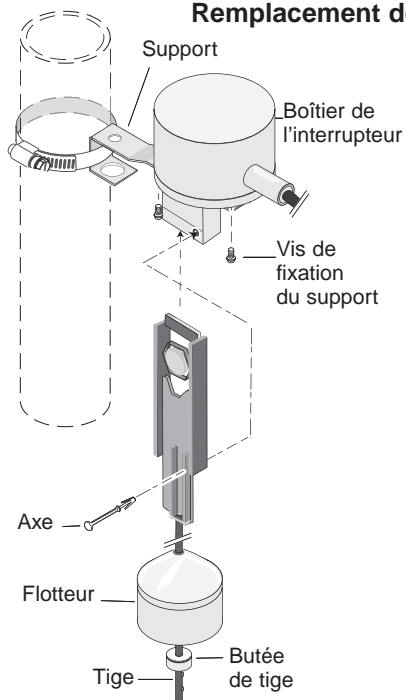
⚠ AVERTISSEMENT Ne pas procéder à cette vérification de fonctionnement risque de causer un mauvais fonctionnement, une panne prématurée, voire une inondation.

FONCTIONNEMENT

⚠ AVERTISSEMENT Risque de secousses électriques. Ne pas toucher à la pompe ni au moteur de la pompe lorsqu'on a les mains mouillées, humides ou dans l'eau.

1. Le joint de l'arbre dépend de l'eau pour son graissage. Ne pas utiliser la pompe si elle n'est pas immergée dans l'eau, sinon son joint sera endommagé si la pompe fonctionne à sec.
2. Le moteur est équipé d'un protecteur thermique à réarmement automatique. Si la température devait s'élever anormalement, le disjoncteur interrompra automatiquement l'arrivée de courant avant que le

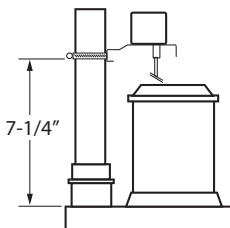
Remplacement de l'interrupteur vertical



- 1 Monter le support dans le boîtier de l'interrupteur.
- 2 Glisser le flotteur, puis la butée sur la tige après la deuxième pointe.
- 3 Introduire la tige dans le boîtier de l'interrupteur, puis le verrouiller en place avec l'axe.

NOTA : S'assurer que l'axe retient bien la tige dans le boîtier de l'interrupteur, sinon la pompe ne s'arrêtera pas.

- 4 Attacher l'interrupteur au tuyau de refoulement, comme il est illustré. Le dessous du support devrait être situé à 7-1/4 po au-dessus de la partie supérieure de la volute pour fixer les bons points marche/arrêt (voir ci-dessous).



NOTA : Se reporter aux instructions incluses avec l'interrupteur de remplacement, numéro de pièce FPS17-66.

moteur soit endommagé. Lorsque le moteur aura suffisamment refroidi, le disjoncteur se réarmera automatiquement et le moteur redémarrera. Si le protecteur se déclenche constamment, sortir la pompe du puisard et en déterminer la cause. Une basse tension, des cordons prolongateurs trop longs, un impulseur bouché, une hauteur de refoulement très basse ou un tuyau de refoulement bouché ou gelé, etc. risquent de causer un fonctionnement intermittent.

ment l'eau ne coule plus par son tuyau de refoulement, arrêter immédiatement la pompe. Le niveau de l'eau est probablement très bas et la pompe s'est désamorcée.

⚠ AVERTISSEMENT

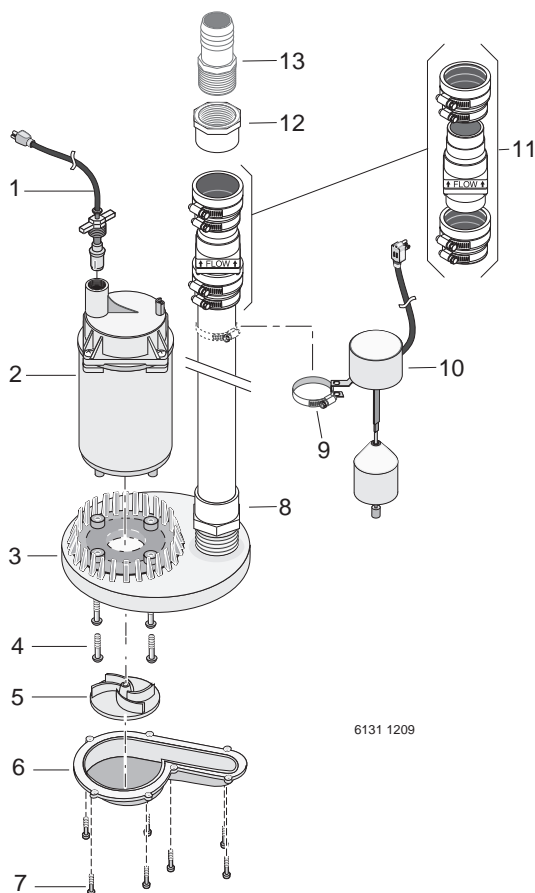
Risque de chocs électriques. Avant de vérifier pourquoi cette

pompe a cessé de fonctionner, interrompre le courant parvenant à la pompe.

3. La pompe n'aspire pas toute l'eau. Si on fait fonctionner la pompe manuellement, et que brusque-

LOCALISATION DES PANNES

Symptôme	Cause(s) probable(s)	Mesure corrective
La pompe ne démarre pas ou ne tourne pas.	La pompe n'est pas branchée. Niveau d'eau trop bas. Fusible fondu. Basse tension de la ligne. Moteur défectueux. Interrupteur du moteur défectueux. Roue motrice. Entrave trop longue. Obstruction du flotteur.	S'assurer que la pompe est branchée dans une prise de courant adéquate. L'interrupteur de la pompe ne se déclenche pas si l'eau ne recouvre pas la partie supérieure de la pompe. Si le fusible est fondu, remplacer par le calibre qui convient. Si la tension est au-dessous du minimum recommandé, vérifier la force du câblage provenant de l'interrupteur général de l'habitation. S'il n'y a pas de problème, contacter la Compagnie d'électricité ou les services hydro-électriques. Remplacer la pompe. Remplacer l'interrupteur du moteur. Si la roue refuse de tourner, déposer la partie inférieure de la pompe et cherche la cause du blocage. Raccourcir l'entrave. Dégager le mouvement du flotteur.
La pompe démarre et s'arrête trop souvent.	Reflux du liquide dans la pompe. Interrupteur du flotteur défectueux.	Installer un clapet de retenue. Remplacer l'interrupteur du flotteur.
La pompe refuse de s'arrêter.	Interrupteur du flotteur défectueux. Diminution du refoulement (obstruction ou glace dans la tuyauterie) Entrave trop longue. Obstruction du flotteur. La crépine d'aspiration est obstruée.	Remplacer l'interrupteur du flotteur. Déposer la pompe et nettoyer la pompe et la canalisation. Raccourcir l'entrave. Dégager le mouvement du flotteur. Déposer la pompe et nettoyer la crépine d'aspiration ainsi que l'impulseur.
La pompe fonctionne mais elle ne délivre pas ou peu d'eau.	Basse tension de la ligne. Quelque chose bloque la rouemotrice. Pièces usées ou défectueuses, ou roue motrice obstruée. Trou d'évent bouché. La crépine d'aspiration est obstruée. Le clapet antiretour est installé à l'envers.	Si la tension est au-dessous du minimum recommandé, vérifier la force du câblage provenant de l'interrupteur général de l'habitation. S'il n'y a pas de problème, contacter la Compagnie d'électricité. Démonter la pompe et nettoyer l'impulseur. Nettoyer la roue motrice si elle est obstruée ; autrement, remplacer la pompe. Utiliser un clou ou un trombone pour ouvrir le trou d'évent dans le tuyau de refoulement. Déposer la pompe et nettoyer la crépine d'aspiration ainsi que l'impulseur. S'assurer que le clapet antiretour est installé correctement.

MODÈLE
2944RP


6131 1209

Réf.	Désignation	Qté	2944RP
1	Ensemble de cordon électrique	1	PS117-54-TSU **
2	Moteur	1	
3	Volute (supérieure)	1	PS1-31P
4	Vis à tête cylindrique à empreinte cruciforme n° 8-32 x 5/8 de pouce	4	†
5	Impulseur	1	RP0000911A
6	Volute (inférieure)	1	PS1-30P
7	Vis à tête cylindrique n° 8-16 x 1/2 po de long	7	†
8	Adaptateur de 1-1/4 po NPT x 1-1/4 po coulissant	1	†
9	Collier de l'interrupteur	1	†
10	Interrupteur à flotteur vertical (comprend la réf. 9)	1	FPS17-66
11	Clapet antiretour	1	FP0026-10
12	Adaptateur 1-1/4 po NPT x 1-1/2 po coulissant	1	†
13	Raccord cannelé de 1-1/4 po NPT x 1-1/4 po	1	†
•	Nécessaire de tuyau souple de 1-1/4 po x 24 pi (comprend la réf. 12)	1	FP0012-6U-P2

** Si le moteur tombe en panne. Replacer la pompe.

† Articles de quincaillerie standard. À acheter localement.

• Pièce non illustrée.

CONSERVER L'ORIGINAL DU REÇU POUR TOUTE RÉFÉRENCE ULTÉRIEURE.**GARANTIE LIMITÉE**

SIMER garantit à l'acheteur/au consommateur d'origine (l'Acheteur) que ses produits sont exempts de tout vice de matériau et de fabrication. Cette garantie est valable pendant douze (12) mois à partir de la date d'achat d'origine.

Si, dans les douze (12) mois suivant la date d'achat d'origine, un produit se révèle défectueux, il sera réparé ou remplacé, à la discrétion de SIMER, conformément aux modalités et conditions exposées ci-dessous. Le reçu de l'achat d'origine et l'étiquette d'information sur la garantie sont requis pour déterminer la recevabilité de la réclamation au titre de la garantie. La recevabilité de la réclamation se base sur la date de l'achat d'origine du produit, et non sur la date d'un éventuel remplacement sous garantie. La garantie est limitée à la réparation ou au remplacement du produit uniquement. L'Acheteur assume les frais de retrait, d'installation, de transport et tous les frais accessoires.

Pour obtenir des pièces ou de l'aide technique, NE PAS retourner le produit au détaillant. Contacter le service à la clientèle de SIMER au 1-800-468-7867 / 1-800-546-7867.

Les réclamations au titre de cette garantie doivent être effectuées en retournant le produit (à l'exception des pompes d'eau d'égout, voir ci-dessous) au détaillant où il a été acheté, et ce, immédiatement après la découverte de la défaillance supposée. SIMER prendra les mesures correctives nécessaires dans un délai rapide et raisonnable. Aucune demande de réparation ne sera acceptée plus de 30 jours après l'expiration de la garantie.

Cette garantie ne s'applique pas aux produits utilisés à des fins commerciales ou de location.

POMPES D'EAUX D'ÉGOUT

NE PAS RETOURNER une pompe d'eaux d'égout (qui a été installée) au détaillant. Communiquer avec le service à la clientèle de SIMER. Les pompes d'eau d'égout qui ont été utilisées, puis retirées présentent un risque de contamination.

En cas de défaillance de la pompe d'eaux d'égout :

- Porter des gants en caoutchouc pour manipuler la pompe.
- À des fins de garantie, retourner l'étiquette figurant sur le cordon de la pompe et l'original du reçu au détaillant.
- Mettre la pompe au rebut conformément à la réglementation locale.

Exceptions à la garantie limitée de douze (12) mois

Produit	Période de garantie
BW85P, CM10, CMK, M40, M40P	90 jours
2300, 2310, 2330, 2520ULST, 2943, 2955, 2956, 2957, 2960, 5023SS, A5500	2 ans
Pompe pour puits submersibles de 4 pouces, 2945, 2958, 2975PC, 2985, 3075SS, 3983, 3984	3 ans
Réservoir préchargé de système d'eau, 3985, 3986,	5 ans
3963, 3988, 3995, 3997	À vie

Modalités et conditions générales

L'Acheteur doit payer tous les frais de main d'œuvre et de transport nécessaires au remplacement du produit garanti couvert par cette garantie. Cette garantie ne s'applique pas à ce qui suit : (1) Les catastrophes naturelles; (2) Les produits qui, selon SIMER, ont fait l'objet d'une négligence, d'une utilisation abusive, d'un accident, d'une mauvaise application ou d'une altération; (3) Les défaillances dues à une installation, une utilisation, un entretien ou un entreposage inappropriés; (4) Une application, une utilisation ou une réparation atypique ou non approuvée; (5) Les défaillances causées par la corrosion, la rouille ou d'autres matériaux étrangers au système, ou par une utilisation à une pression supérieure au maximum recommandé.

Cette garantie établit la responsabilité unique de SIMER et le recours exclusif de l'Acheteur en cas de produit défectueux.

SIMER NE POURRA ÊTRE TENUE RESPONSABLE DE TOUT DOMMAGE INDIRECT OU CONSÉCUTIF QUEL QU'IL SOIT.

LES PRÉSENTES GARANTIES SONT EXCLUSIVES ET REMPLACENT TOUTE AUTRE GARANTIE EXPRESSE OU IMPLICITE, Y COMPRIS, MAIS SANS S'Y LIMITER, CELLE DE QUALITÉ MARCHANDE OU D'APTITUDE DU PRODUIT À UN EMPLOI PARTICULIER. LES PRÉSENTES GARANTIES NE PEUVENT SE PROLONGER AU-DELÀ DE LA PÉRIODE DE GARANTIE INDIQUÉE ICI.

Certains États ne permettent pas l'exclusion ou la limitation des dommages indirects ou consécutifs, ni les limitations relatives à la durée des garanties implicites. Par conséquent, il se peut que les limitations ou les exclusions ci-dessus ne s'appliquent pas. Cette garantie procure des droits juridiques précis à l'Acheteur. Cependant, il est possible de bénéficier d'autres droits, qui varient selon l'État.

SIMER • 293 Wright St., Delavan, WI U.S.A. 53115

Téléphone : 1 800 468-7867 / 1 800 546-7867 • Télécopieur : 1 800 390-5351

Courriel : info@simerpumps.com • Site Web : http://www.simerpumps.com

DESCRIPCION

Esta Bomba Sumergible de Sumidero ha sido diseñada para sumideros domésticos. La unidad viene equipada con un cordón eléctrico de tipo puesta a tierra, con tres puntas. El motor monofásico de inducción está lleno de aceite y viene cerrado herméticamente para una operación más fría. Los cojinetes de manguito en el eje del motor nunca necesitan lubricación. Protección de reposición térmica automática. No se ha diseñado para usar como bomba de desagüe para piscinas de natación.

ESPECIFICACIONES

Fuente de alimentación115 V, 60 Hz
 Gama de la Temperatura del Líquido.....0°-21°C (32°F a 70°F)
 Requiere un ramal individual (mínimo).....15 Amps
 Tubería de Descarga:
 Válvula de retención.....1-1/4" corrediza / 1-1/2" corrediza
 Manguera.....1-1/4"

AVISO: No reduzca el tamaño de la tubería o de la manguera de descarga a un diámetro menor de 1-1/4". Si la descarga es demasiado pequeña, la bomba se recalentará y fallará prematuramente.

AVISO: Este aparato no está diseñado como bomba de cascada o fuente, ni para aplicaciones con agua salada o de mar. El uso con cascadas, fuentes, agua salada o de mar anulará la garantía.

Bombear solamente agua con esta bomba.

No usar en donde hay recirculación de agua.

No ha sido diseñado para usar como desagüador de piscinas de natación.

⚠ ADVERTENCIA Peligro de descarga eléctrica. No manipule ni enchufe la

bomba o el motor de la bomba con manos mojadas o cuando esté parado sobre una superficie mojada o húmeda, o en el agua.

RENDIMIENTO

GPH (LPH) A ALTURA TOTAL EN PIES (M)					
Série	HP	1,5 m (5 pi)	3 m (10 pi)	4,6 m (15 pi)	Sin caudal en al altura indicada abajo
CAPACIDAD EN GALONES (l) POR HORA					
2944RP	1/2	12 113 (3200)	10 220 (2700)	7 571 (2000)	7,3 m (24 pi)

ESPECIFICACIONES ELECTRICAS Y DEL INTERRUPTOR

Modelo	HP	Amperios con el motor a plena carga	Requiere un ramal individual (amperios)	Ajuste del interruptor en pulgadas (mm)	
				Marche	Arrêt
2944RP	1/2	5,5	15	8" (203)	3.5" (89)

INFORMACION GENERAL SOBRE SEGURIDAD

Las bombas de sumidero eléctricas por lo regular duran muchos años sin sufrir problemas de servicio, cuando son instaladas, mantenidas y usadas correctamente. Sin

embargo, las situaciones inusuales (interrupción del suministro eléctrico que va a la bomba, tierra o suciedad en el sumidero, inundación superior a la capacidad de la bomba, fallas eléctricas y mecánicas, etc.), pueden evitar que su bomba funcione como acostumbra. Para evitar posibles daños ocasionados por inundación de agua, consulte a su representante de ventas sobre la instalación de una bomba de sumidero con CA secundaria, una bomba de sumidero de respaldo con CD, y/o una alarma de alto nivel de agua. Consulte la "Tabla de solución de problemas" contenida en este manual para información sobre problemas comunes de la bomba de sumidero y soluciones. Para mayor información, visite a su representante de ventas o llame al Departamento de Servicio al Cliente 1-800-468-7867.

1. Infórmese sobre la aplicación, limitaciones y posibles riesgos de la bomba.
2. **No use esta bomba en agua con peces. Si hay una fuga de aceite del motor puede matar a los peces.**
3. Desconecte la energía eléctrica antes de efectuar reparaciones.
4. Alivie toda la presión dentro del sistema antes de reparar cualquier componente.
5. Drene toda el agua del sistema antes de efectuar reparaciones.
6. Asegure bien la tubería de descarga antes de poner en marcha la bomba. Una tubería de descarga que no esté bien segura puede moverse y causar lesiones personales y/o daños materiales.
7. Antes de cada uso, verifique si las mangueras están débiles o gastadas, asegurándose de que todas las conexiones estén firmes.
8. Inspeccione periódicamente el sumidero, la bomba y los componentes del sistema. Manténgala limpia de basuras y objetos extraños. Realice el mantenimiento de rutina como sea necesario.
9. Provea un medio de alivio de la presión para aquellas bombas cuya tubería de descarga puede bloquearse u obstruirse.
10. Seguridad Personal:
 - a. No la enchufe ni la manipule de otra manera con manos mojadas o cuando esté parado sobre una superficie mojada o húmeda, o en el agua.
 - b. Use lentes protectores en todo momento cuando trabaje en la bomba.
 - c. Mantenga el lugar de trabajo limpio, despejado y debidamente iluminado - guarde todas herramientas y el equipo que no se use.
 - d. Mantenga a los visitantes a una distancia segura del lugar de trabajo.
 - e. Asegúrese de que su taller sea a prueba de niños - con candados, interruptores maestros y sacando las llaves del arrancador.
11. Cuando instale el cableado de una bomba accionada eléctricamente, siga todos los códigos eléctricos y de seguridad que correspondan.
12. **Esta bomba solamente se puede usar con corriente de 115 voltios (monofásica) y está equipado con un cordón aprobado de 3 conductores y 3 clavijas, del tipo de puesta a tierra.**

⚠ ADVERTENCIA Para reducir el riesgo de choque eléctrico, desenchufe la bomba antes de repararla. No se ha comprobado aún si esta bomba pueda ser usada en albercas. La bomba es suministrada con un conductor de puesta a tierra y un enchufe del tipo de puesta a tierra. Asegúrese de que sea conectado solamente a un tomacorriente puesto a tierra, del tipo de puesta a tierra.

Si el tomacorriente mural es del tipo para 2 clavijas, éste debe ser reemplazado por un tomacorriente de 3 clavijas e instalado de acuerdo con los códigos y reglamentos que correspondan.

13. Todo el cableado debe ser efectuado por un electricista calificado.
14. Asegúrese de que la fuente de alimentación cumple con los requisitos de su equipo.
15. Proteja el cordón eléctrico contra objetos afilados, superficies calientes, aceite y productos químicos. Evite que se enrede. Reemplace o repare inmediatamente un cordón que esté dañado o gastado.
16. No toque un motor cuando esté funcionando. Los motores pueden funcionar a temperaturas altas.
17. No manipule la bomba o el motor de la bomba con las manos mojadas o cuando esté parado en suelo húmedo o mojado o en el agua.

⚠ ADVERTENCIA Tensión peligrosa. Puede causar choques eléctricos, quemaduras o muerte. Si su sótano tiene agua o humedad en el piso, no camine en el lugar mojado hasta que no haya cortado toda la energía eléctrica. Si la llave de paso está en el sótano, llame a la compañía eléctrica o a la compañía de electricidad para cortar el servicio a su casa o llame al departamento de bomberos de su localidad para solicitar instrucciones. Saque la bomba y repárela o reemplácela. El incumplimiento de esta advertencia puede resultar en un choque eléctrico mortal. No levante la bomba por medio del cordón de corriente.

PARA SITUACIONES DE EMERGENCIA EN CASO DE INUNDACIÓN

⚠ ADVERTENCIA Tensión peligrosa. Puede provocar choque eléctrico, quemaduras o muerte. Si su sótano tiene un suelo húmedo o mojado, no camine por el área mojada hasta que no haya desconectado la corriente eléctrica. Si la llave de paso está en el sótano, llame a la empresa de suministro de energía o a la autoridad de servicio público de energía para que desconecten el servicio a la casa, o llame a su departamento de bomberos local para obtener instrucciones al respecto. Retire la bomba y repárela o cámbiela. Si hace caso omiso de esta advertencia, corre el riesgo de un choque eléctrico fatal.

1. Instale el adaptador y la boquilla de la manguera en la válvula de retención de la Bomba de Instalación Rápida. Instale la manguera en el adaptador y sujétela con abrazaderas.
2. Levante el cordón y adhiéralo con cinta adhesiva a la tubería de descarga de la Bomba de Instalación Rápida. Enchufe la bomba y conéctela a un cordón de alargue resistente al agua, de tres puntas con puesta a tierra, tipo SJTW aprobado por UL y/o GSA. El cordón debe ser de calibre No. 14 AWG, como mínimo, y con un largo que no supere 100 pies. Es importante que los enchufes y el cordón de alargue permanezcan fuera del agua.
3. Saque la bomba vieja del sumidero y póngala a un lado.

4. Haga bajar la Bomba de Instalación Rápida dentro del sumidero. Verifique que el cordón eléctrico sea lo suficientemente largo para que el enchufe quede fuera del agua cuando la bomba está funcionando.
5. Haga correr la manguera hacia afuera del área inundada hacia un área adecuada para el desagüe.
6. **⚠ ADVERTENCIA** Riesgo de choque eléctrico. Vaya a un área seca, quítese los zapatos mojados y cámbiase la ropa mojada. CUANDO USTED ESTÉ SECO, enchufe el cordón de alargue en el tomacorriente con puesta a tierra (con un GFCI - disyuntor de escape a tierra - si es posible). NO SE PARE EN EL AGUA PARA ENCHUFAR LA BOMBA.
7. Los requerimientos del Código Eléctrico Nacional ("NEC") y del Código Eléctrico Canadiense ("CEC") prohíben el uso de un cordón de alargue con esta bomba en una instalación permanente. Tan pronto como sea posible, saque el cordón de alargue y vuelva a instalar la bomba como bomba de repuesto permanente, con un cordón eléctrico que se conecte directamente a un receptáculo de tipo puesta a tierra y que esté debidamente conectado a tierra. Instale la bomba conforme a las instrucciones del fabricante, y a todas las normas y reglamentos que apliquen.
8. Supervise el funcionamiento de la bomba. La bomba se detendrá automáticamente cuando el nivel del agua haya bajado hasta el punto en que el interruptor se apague ("OFF").

NOTA: El uso de un cordón de alargue con esta bomba no está aprobado por la CSA.

INSTALACION

1. Instale la bomba en un foso de recogida con un diámetro mínimo de 10" (254 mm). La profundidad del sumidero debe ser de 10" (254 mm). Construya el foso de recogida de losetas, hormigón, acero o plástico. Confirme los materiales aprobados y la instalación adecuada requeridos por las normas locales.
2. Instale la bomba en el pozo de manera que el mecanismo de operación del interruptor tenga el mayor juego posible.
3. La bomba no debe ser instalada en arcilla, tierra o superficies arenosas. Saque las piedritas y arenillas que puedan haber en el pozo del sumidero pues pueden obstruir la bomba. Mantenga limpio el filtro de admisión de la bomba.

AVISO: No use obturador de juntas de tubería en las tuberías de plástico. El obturador de juntas de tubería puede dañar el plástico.

⚠ CUIDADO Riesgo de inundación. Si se usa la manguera de descarga flexible, asegúrese de que la bomba esté bien inmovilizada para que no pueda moverse dentro del sumidero. Si la bomba no está bien firme puede moverse y causar interferencia con el interruptor e impedir que la bomba se ponga en marcha o se detenga.

TM E.I. DuPont De Nemours and Company Corporation, Delaware.

4. Fuente de Alimentación: La bomba está diseñada para funcionar con corriente de 115 V., 60 Hz. y requiere un ramal individual mínimo de 15 amps. Tanto la bomba como el interruptor vienen con juegos de cordones de 3 conductores con enchufes del tipo de puesta a tierra. El enchufe del interruptor se enchufa directamente en el tomacorriente y el enchufe de la bomba se enchufa en el extremo opuesto del enchufe del interruptor.

⚠ ADVERTENCIA La bomba siempre debe ser puesta a tierra en una tierra eléctrica adecuada tales como una tubería en la agua que esté puesta a tierra o un conducto metálico debidamente puesto a tierra o un sistema de alambre de puesta a tierra. No corte la clavija redonda de puesta a tierra.

- Si la tubería de descarga de la bomba está expuesta a temperaturas exteriores inferiores al punto de congelación, la porción expuesta de la tubería debe ser instalada de manera que toda agua que quede en la tubería se drene por gravedad hacia la descarga. El incumplimiento de esto puede causar que el agua atrapada en la tubería de descarga se congele, lo cual podría resultar en daño para la bomba.
- Después de haber instalado la tubería, la válvula de retención y el conmutador a flotador, la unidad está lista para funcionar.

7. Verifique el funcionamiento de la bomba llenando el sumidero con agua y observando el funcionamiento de la bomba por un ciclo completo. Para las graduaciones del interruptor, consulte el gráfico de "Especificaciones Eléctricas y del Interruptor" que aparece en la página 14.

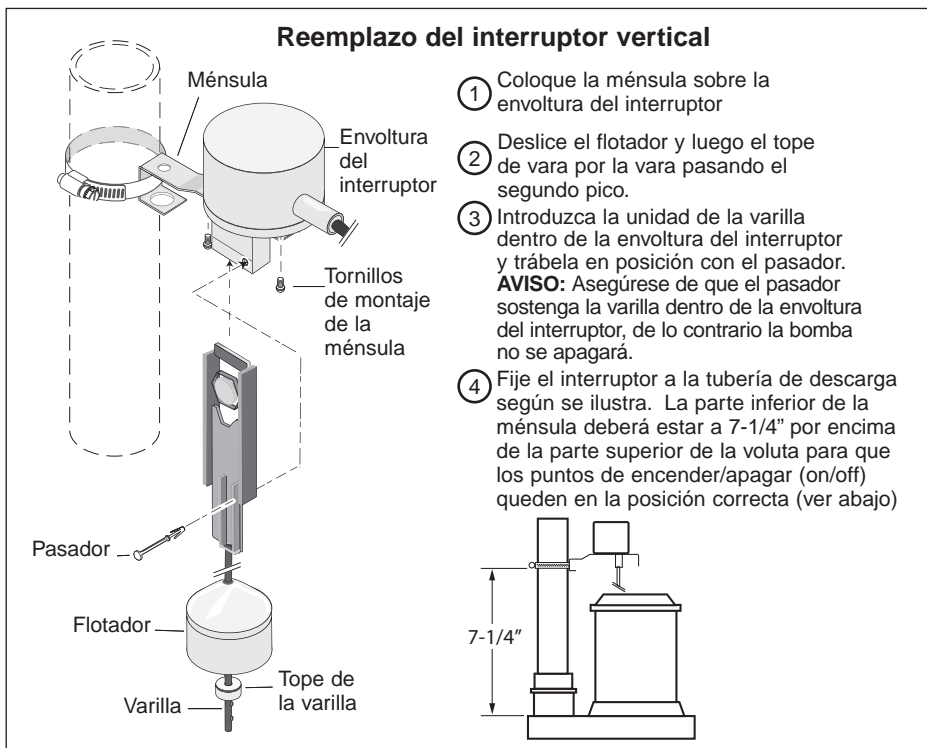
⚠ ADVERTENCIA El incumplimiento de esta verificación del funcionamiento puede resultar en funcionamiento impropio, falla prematura e inundación.

FUNCIONAMIENTO

⚠ ADVERTENCIA Riesgo de choque eléctrico. No manipule la bomba o el motor de la bomba con las manos mojadas o cuando esté parado en suelo húmedo, mojado o en el agua.

- La junta del eje depende del agua para su lubricación. No haga funcionar la bomba a menos que esté sumergida en agua ya que la junta puede dañarse si se hace trabajar en seco.
- El motor está equipado con un protector contra sobrecargas térmicas de reposición automática. Si la temperatura en el motor se eleva indebidamente, el interruptor puede cortar toda la energía antes de que se produzca daño al motor. Cuando el motor se ha enfriado suficientemente, el interruptor se reposicionará automáticamente y el motor volverá a pon-

Reemplazo del interruptor vertical



AVISO: Consulte las instrucciones incluidas con el interruptor de repuesto, Repuesto No. FPS17-66.

erse en marcha. Si el protector se desengancha en forma continua, la bomba debe ser sacada y revisada para verificar cual es el problema. Baja tensión, cables de alargue largos, impulsor atascado, muy baja altura de aspiración o elevación o una tubería de descarga tapada o congelada, etc. pueden hacer que se pase por el ciclo.

- 3. La bomba no saca toda el agua. La bomba no aspirará toda el agua. Si se está operando la bomba en forma manual y de repente no sale agua de la

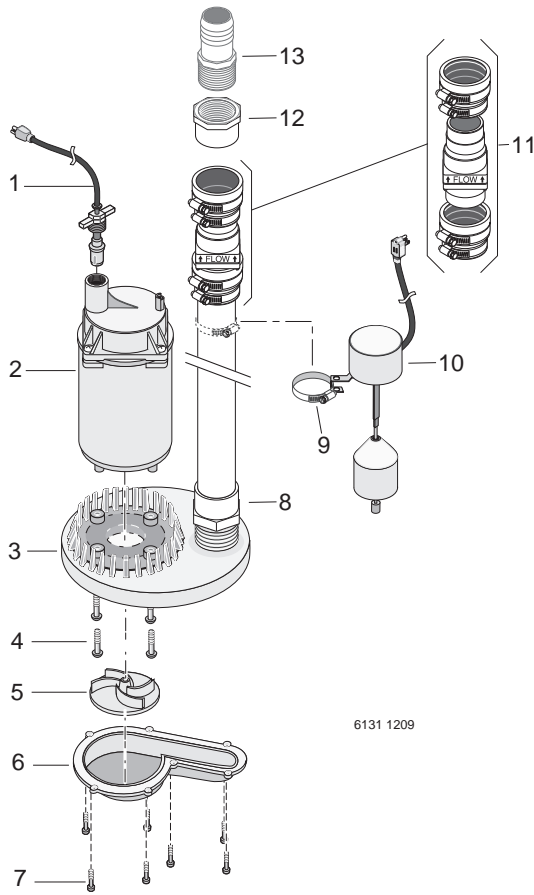
manguera de descarga, apague la unidad inmediatamente. Probablemente el nivel del agua es muy bajo y la unidad ha dejado de cebar.

⚠ ADVERTENCIA **Riesgo de choque eléctrico.**
Antes de intentar revisar porque la bomba ha dejado de funcionar, desconecte la energía eléctrica.

GUÍA PARA LA RESOLUCIÓN DE PROBLEMAS

SÍNTOMA	CAUSA PROBABLE	MEDIDA CORRECTIVA
La bomba no arranca ni funciona.	<p>La bomba no está enchufada.</p> <p>El nivel de agua está demasiado bajo.</p> <p>Un fusible se ha quemado.</p> <p>El voltaje de línea es demasiado bajo.</p> <p>El motor está defectuoso.</p> <p>El interruptor del flotante está defectuoso.</p> <p>El rodete no gira.</p> <p>El brazo del flotador es demasiado largo.</p> <p>El movimiento del flotante está obstruido.</p>	<p>Verifique que la bomba esté enchufada en un tomacorriente adecuado.</p> <p>El interruptor de la bomba no se conecta a menos que el agua cubra la parte superior de la bomba.</p> <p>Si el fusible está quemado, sustitúyalo con un fusible de la capacidad correcta.</p> <p>Si el voltaje está por debajo del mínimo recomendado verifique en el edificio el diámetro del alambre desde el interruptor principal. Si es el correcto, comuníquese con la empresa de electricidad o la autoridad hidroeléctrica.</p> <p>Reemplace la bomba.</p> <p>Reemplace el interruptor del flotante.</p> <p>Si el rodete no gira, saque el cuerpo inferior de la bomba y ubique el lugar donde el rodete se trava.</p> <p>Acorte el brazo del flotante.</p> <p>Retire las obstrucciones.</p>
La bomba se pone en marcha y se detiene con demasiada frecuencia.	<p>Hay retroceso de agua de la tubería.</p> <p>El interruptor del flotante está fallado.</p>	<p>Instale una válvula de retención.</p> <p>Reemplace el interruptor del flotante.</p>
La bomba no se desconecta.	<p>Interruptor defectuoso del flotante.</p> <p>Descarga obstruida (obstáculos o hielo en las tuberías).</p> <p>El brazo del flotante es demasiado largo.</p> <p>El movimiento del flotante está obstruido.</p> <p>Tamiz de admisión restringido.</p>	<p>Reemplace el interruptor del flotante.</p> <p>Retire la bomba y limpie la bomba y la tubería.</p> <p>Acorte el brazo del flotante.</p> <p>Retire las obstrucciones.</p> <p>Saque la bomba y limpie el tamiz de admisión y el impulsor.</p>
La bomba funciona pero el caudal es reducido o nulo.	<p>El voltaje de línea es baja.</p> <p>Algo se ha quedado trabado en el rodete.</p> <p>El rodete tiene piezas desgastadas o defectuosas.</p> <p>Orificio de ventilación obturado.</p> <p>Tamiz de admisión restringido.</p> <p>Verifique que la válvula no esté instalada hacia atrás o invertida.</p>	<p>Si el voltaje es inferior al mínimo recomendado, verifique el diámetro del alambre que va desde el interruptor principal en el edificio. Si es el correcto comuníquese con la empresa de electricidad.</p> <p>Saque la bomba y limpie el impulsor.</p> <p>Limpie el rodete si está taponado, en caso contrario reemplace la bomba.</p> <p>Use un clavo o un clip sujetapapeles para abrir el orificio de ventilación en la tubería de descarga.</p> <p>Saque la bomba y limpie el tamiz de admisión.</p> <p>Asegúrese de que la válvula de retención esté debidamente instalada.</p>

MODELO
2944RP



6131 1209

Ref.	Descripción	Cant.	2944RP
1	Ensamblaje de cordón de corriente	1	PS117-54-TSU
2	Motor	1	**
3	Voluta (superior)	1	PS1-31P
4	Tornillo, cabeza de cono achatado Phillips, #8-32x5/8"	4	†
5	Impulsor	1	RP0000911A
6	Voluta (inferior)	1	PS1-30P
7	Tornillo, cabeza grande de cono achatado, #8-16x1/2"	7	†
8	Adaptador de 1-1/4" NPT x 1-1/4" corrediza	1	†
9	Abrazadera del interruptor	1	†
10	Unidad del interruptor de flotador vertical (incluye la Referencia No. 9)	1	FPS17-66
11	Válvula de retención	1	FP0026-10
12	Adaptador de 1-1/4" NPT x 1-1/2" corrediza	1	†
13	Boquilla de manguera de 1-1/4" NPT x 1-1/4"	1	†
•	Juego de manguera de 1-1/4" x 24' (incluye la Referencia No. 12)	1	FP0012-6U-P2

** Si el motor está defectuoso. Reemplace la bomba.
 † Artículo de ferretería estándar; se debe adquirir localmente.
 • No se ilustra

GUARDE EL RECIBO ORIGINAL PARA CUALQUIER REFERENCIA POSTERIOR.

GARANTÍA LIMITADA

SIMER le garantiza al comprador consumidor original (el “Comprador” o “Usted”) de sus productos, que éstos estarán libres de defectos en materiales y en mano de obra por un período de doce (12) meses, a partir de la fecha de la compra original del consumidor.

Si dentro de los doce (12) meses a partir de la fecha de la compra inicial del consumidor, se comprueba que cualquiera de esos productos es defectuoso, éste será reparado o reemplazado, a la discreción de SIMER, sujeto a los términos y a las condiciones indicadas a continuación. Se necesitará su recibo de compra original y la etiqueta de información sobre la garantía del producto, para determinar la admisibilidad de la garantía. La admisibilidad se basa en la fecha de compra del producto original - no en la fecha de reemplazo bajo la garantía. La garantía está limitada a la reparación o el reemplazo del producto solamente - El comprador pagará todos los costos de remoción, instalación, mano de obra y envío necesarios, así como todo costo adicional asociado.

Si necesita piezas o resolución de problemas, NO regrese el producto a la tienda minorista. Llame el Servicio a la Clientela de SIMER al 1-800-468-7867 / 1-800-546-7867.

Las reclamaciones bajo esta garantía se deberán realizar mediante la devolución del producto (excepto en el caso de las bombas cloacales, ver a continuación) a la tienda minorista en donde se haya adquirido, inmediatamente después de haber descubierto un supuesto defecto. SIMER entonces tomará la medida correctiva tan pronto como sea razonablemente posible. No se aceptarán solicitudes de servicio, si se reciben más de 30 días después del vencimiento de esta garantía.

Esta garantía no es válida para productos que se utilicen para fines comerciales o de alquiler.

BOMBAS CLOACALES

NO devuelva una bomba cloacal (que se haya instalado) a su tienda minorista. Comuníquese con el Departamento de Atención al Cliente de SIMER. Las bombas cloacales que hayan estado en servicio y se hayan removido pueden representar un peligro de contaminación.

Si su bomba cloacal ha fallado:

- Use guantes de caucho cuando manipule la bomba;
- Para los fines de la garantía, devuelva la etiqueta del cordón de la bomba y el recibo de compra original a la tienda minorista;
- Descarte la bomba cumpliendo con todas las normas locales que correspondan para su eliminación.

Excepciones para la Garantía Limitada de Doce (12) Meses

Producto	Período de garantía
BW85P, CM10, CMK, M40, M40P	90 días
2300, 2310, 2330, 2520ULST, 2943, 2955, 2956, 2957, 2960, 5023SS, A5500	2 años
Bombas de pozo sumergibles de 4”, 2945, 2958, 2975PC, 2985, 3075SS, 3983, 3984	3 años
Tanque precargado del sistema de agua, 3985, 3986	5 años
3963, 3988, 3995, 3997	De por vida

Términos y condiciones generales

Usted deberá pagar por todos los gastos de mano de obra y de envío necesarios para reemplazar el producto cubierto por esta garantía. Esta garantía no se aplicará en las siguientes situaciones: (1) caso de fuerza mayor (2) productos que, a sólo juicio de SIMER hayan sido sometidos a negligencia, abuso, accidente, mala aplicación, manejo indebido o alteraciones; (3) fallas debido a instalación, operación, mantenimiento o almacenamiento inadecuados; (4) aplicaciones, usos o servicios que no sean normales o aprobados; (5) fallas provocadas por corrosión, herrumbre u otros materiales extraños en el sistema, o una operación a presiones que excedan los máximos recomendados.

Esta garantía establece la única obligación de SIMER y el recurso exclusivo del Comprador con respecto a los productos defectuosos.

SIMER NO SE HARÁ RESPONSABLE DE NINGÚN DAÑO CONSECUENTE, INCIDENTAL O CONTINGENTE.

LAS GARANTÍAS QUE ANTECEDEN SON EXCLUSIVAS Y REEMPLAZAN TODA OTRA GARANTÍA EXPLÍCITA O IMPLÍCITA, INCLUYENDO PERO SIN LIMITARSE A LAS GARANTÍAS IMPLÍCITAS DE COMERCIABILIDAD E IDONEIDAD PARA UN FIN ESPECÍFICO. LAS GARANTÍAS QUE ANTECEDEN NO SE EXTENDERÁN MÁS ALLÁ DE LA DURACIÓN PROVISTA EN LA PRESENTE.

Algunos Estados no permiten la exclusión o limitación de daños incidentales o consecuentes o de limitaciones de tiempo sobre garantías implícitas, de modo que es posible que las limitaciones o exclusiones que preceden no correspondan en su caso. Esta garantía le otorga derechos legales específicos y es posible que Usted también tenga otros derechos que pueden variar de un Estado al otro.

SIMER • 293 Wright St., Delavan, WI U.S.A. 53115

Teléfono: 1-800-468-7867 / 1-800-546-7867 • Fax: 1-800-390-5351

E-Mail: info@simerpumps.com • Sitio Web: http://www.simerpumps.com