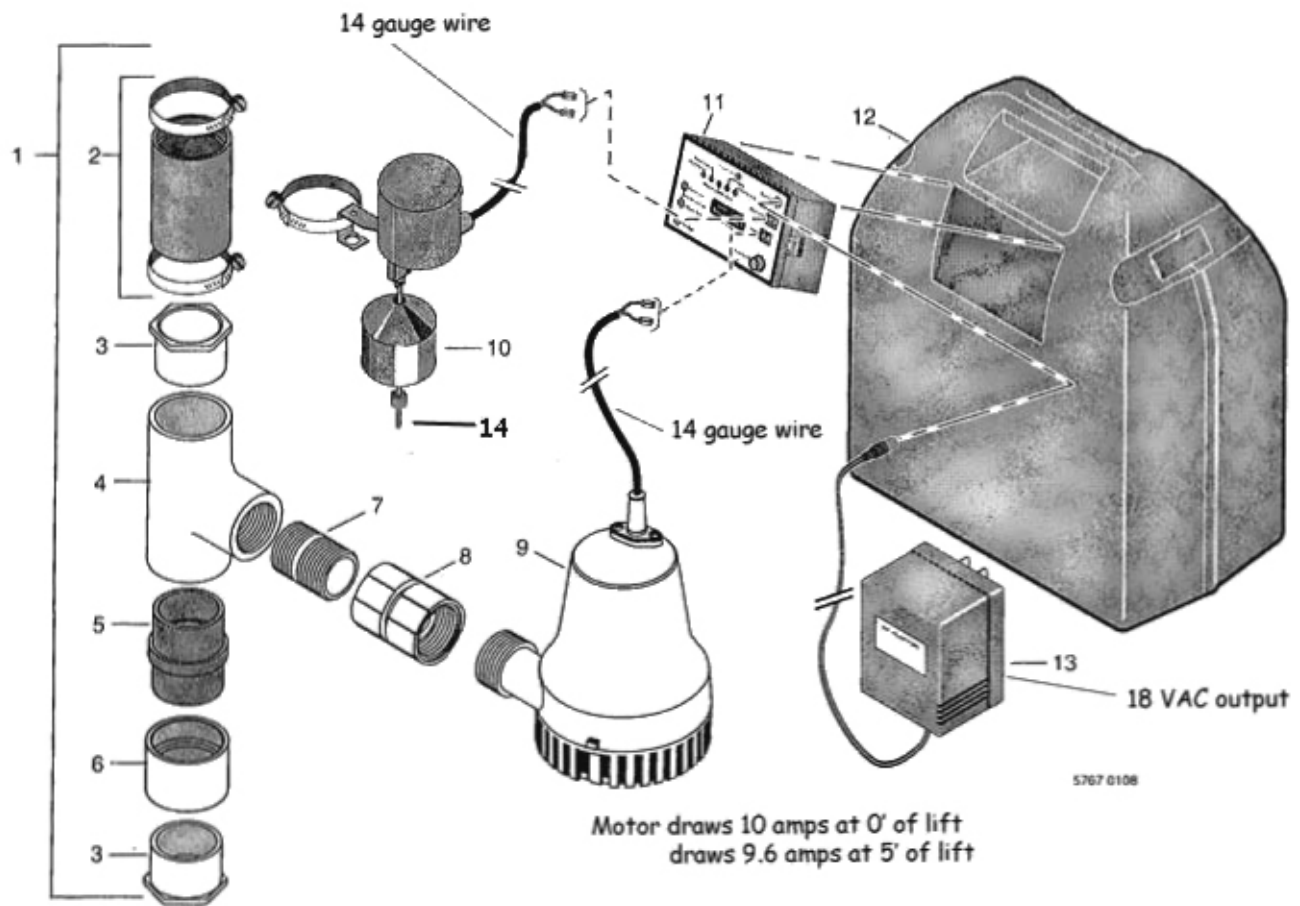


Repair Parts



Key No.	Part Description	Part Number
1	Hardware Replacement Kit (Includes Key Nos. 2,3,4,5,6,7,8)	PS198-270
2	Rubber Hose Coupling with Inserts (2) and Clamps (2)	U74-68
3	1-1/2 x 1-1/4 PVC Slip Reducer Bushing (2)	U78-876P
4	PVC Tee 1-1/2 x 1-1/2 Slip x 1-1/4 FNPT	U78-846P
5	Auxiliary Check Valve	PS112-267
6	1-1/2 x 1-1/2 PVC Slip Coupling	U78-1006
7	PVC Pipe Nipple, 1-1/4 NPT x Close	U37-60P
8	Coupling/Check Valve Assembly, 1-1/4 FNPT x 1-1/4 FNPT	ZB902110
9	DC Backup Pump	PS17-118
10	Vertical Float Switch Package	PS198-269REP
11	Charger	PS217-1512
12	Battery Case (Complete)	PS17-1512
13	AC Adaptor	PS17-1530
•	Electrical Replacement Kit (includes Area Light LED & battery leads)	PS17-1513REP
	Battery Leads only	PS117-114
14	Float Switch Rod only	PS28-27

* If pump fails, replace entire system.